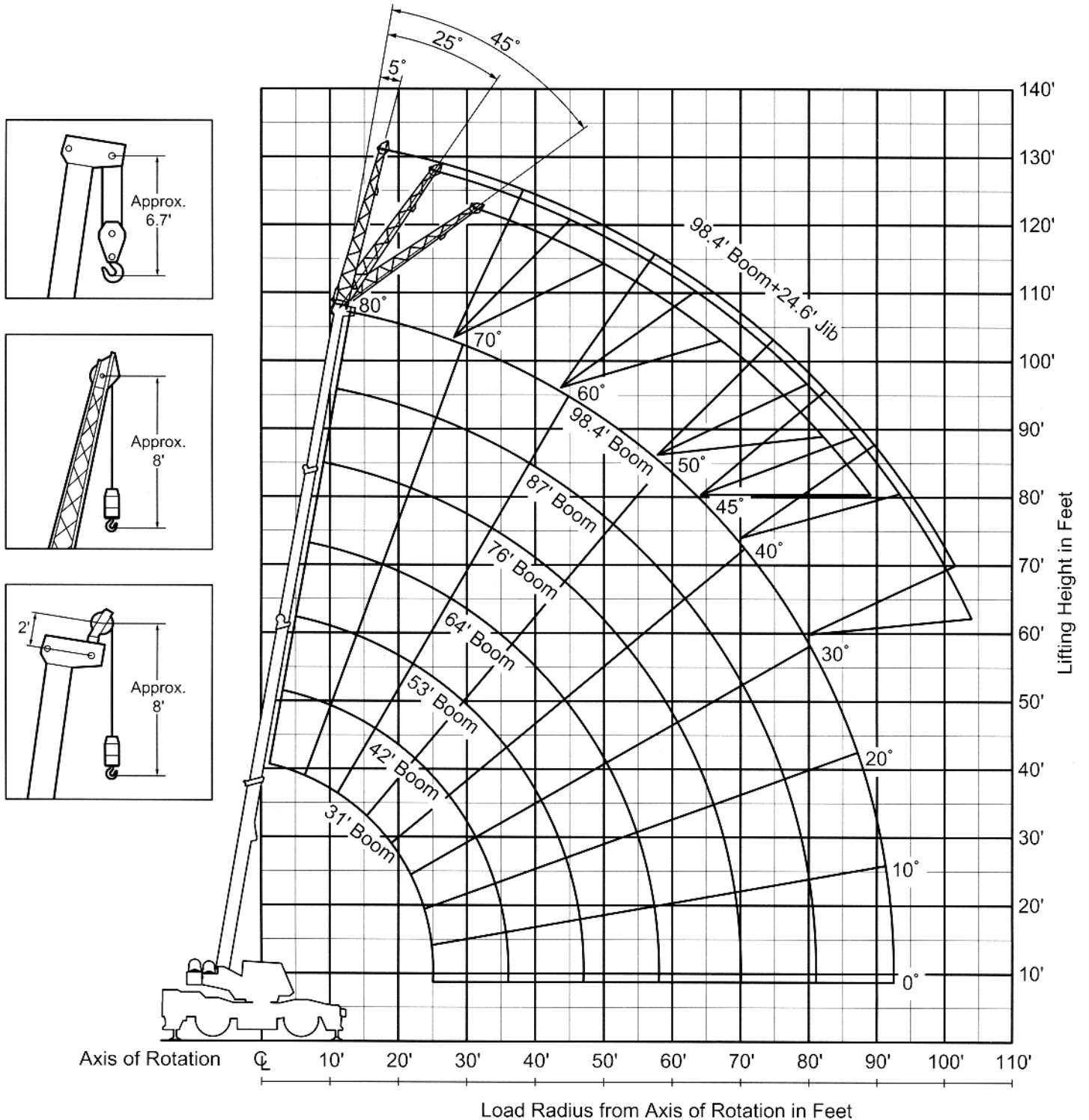


LIFTING CHARTS - Rough Terrain Cranes

TADANO MODEL TR-300XL-3 - 30 TON CAPACITY

WORKING RANGE CHART



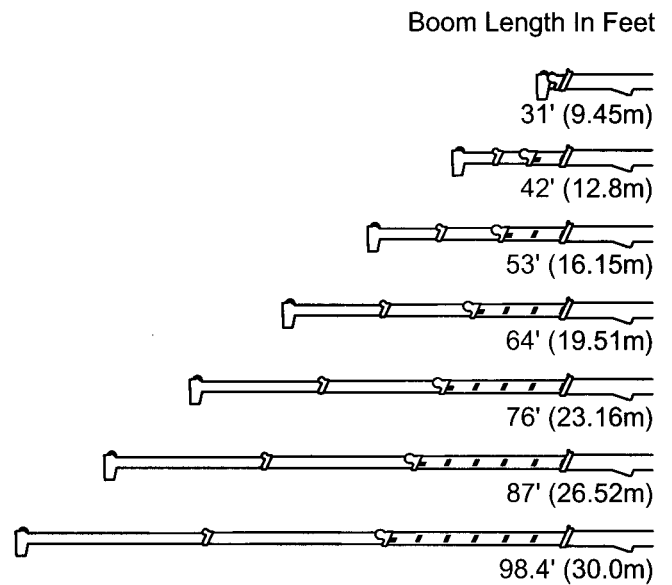
NOTE: Boom and jib geometry shown are for unloaded condition and machine standing level on firm supporting surface. Boom deflection and subsequent radius and boom angle change must be accounted for when applying load to hook.

RATED LIFTING CAPACITIES (IN POUNDS)

A → B	ON OUTRIGGERS FULLY EXTENDED 360° ROTATION							ON OUTRIGGERS MID. EXTENDED 19' 4-1/4" (5.9m) SPREAD 360° ROTATION						
	31' (9.45m)	42' (12.8m)	53' (16.15m)	64' (19.51m)	76' (23.16m)	87' (26.52m)	98.4' (30.0m)	31' (9.45m)	42' (12.8m)	53' (16.15m)	64' (19.51m)	76' (23.16m)	87' (26.52m)	98.4' (30.0m)
10'	60,000	34,600	34,600	32,500				60,000	34,600	34,600	32,500			
12'	56,500	34,600	34,600	32,500	30,000			56,500	34,600	34,600	32,500	30,000		
15'	46,500	34,600	34,600	31,000	30,000	21,000		46,500	34,600	34,600	31,000	30,000	21,000	
20'	36,000	34,600	34,600	28,500	27,000	21,000	19,100	36,000	34,600	34,600	28,500	27,000	21,000	19,100
25'		28,500	28,000	25,000	22,500	21,000	19,100		25,800	24,600	25,000	22,500	21,000	19,100
30'		21,700	21,700	22,000	19,000	17,500	16,800		18,000	18,200	18,200	18,200	17,500	16,800
35'		16,500	16,600	16,900	16,000	15,100	14,400		13,500	14,000	14,000	14,200	14,200	14,400
40'			13,200	13,600	13,800	13,000	12,600			10,900	10,900	11,200	11,250	11,250
45'			10,600	10,800	11,100	11,350	11,000			8,500	8,600	8,900	9,050	9,150
50'				8,800	9,000	9,300	9,300				6,900	7,150	7,300	7,550
55'				7,200	7,400	7,550	7,800				5,700	5,800	5,900	6,100
60'					6,150	6,250	6,450					4,750	4,750	4,850
65'					5,150	5,150	5,300					3,900	3,900	3,950
70'						4,300	4,350						3,200	3,200
75'							3,700	3,650					2,600	2,600
80'								3,000	3,000				2,100	2,100
85'									2,450					1,650
90'										2,200				1,300
C					0°								0°	

A : Boom length in feet B : Load radius in feet C : Minimum boom angle (deg.) for indicated length (no load)

A → B	ON OUTRIGGERS MID. EXTENDED 16' 4-7/8" (5.0m) SPREAD 360° ROTATION						
	31' (9.45m)	42' (12.8m)	53' (16.15m)	64' (19.51m)	76' (23.16m)	87' (26.52m)	98.4' (30.0m)
10'	60,000	34,600	34,600	32,500			
12'	56,500	34,600	34,600	32,500	30,000		
15'	46,500	34,600	34,600	31,000	30,000	21,000	
20'	28,000	28,000	28,000	26,800	27,000	21,000	19,100
25'		19,400	19,400	19,400	19,500	18,700	19,100
30'		13,800	14,300	14,100	14,500	14,350	14,550
35'		10,200	10,600	10,600	11,000	11,000	11,100
40'			8,100	8,200	8,550	8,600	8,700
45'			6,300	6,400	6,650	6,750	6,900
50'				4,900	5,150	5,350	5,450
55'				4,000	4,000	4,200	4,250
60'					3,200	3,250	3,350
65'					2,550	2,550	2,600
70'						2,000	2,000
75'						1,400	1,500
80'						1,000	1,050
85'							750
90'							
C				0°			23°



RATED LIFTING CAPACITIES (IN POUNDS)

Boom Angle in Degree	ON OUTRIGGERS FULLY EXTENDED 360° ROTATION						ON OUTRIGGERS MID. EXTENDED 19' 4-1/4" (5.9m) SPREAD 360° ROTATION					
	Boom Length in Feet						Boom Length in Feet					
	98.4' (30.0m) Boom + 24.6' (7.5m) Jib						98.4' (30.0m) Boom + 24.6' (7.5m) Jib					
	5° offset		25° offset		45° offset		5° offset		25° offset		45° offset	
	R	W	R	W	R	W	R	W	R	W	R	W
80°	20.6'	6,600	27.8'	4,400	33.6'	3,300	20.6'	6,600	27.8'	4,400	33.6'	3,300
75°	31.8'	6,600	38.6'	4,400	43.8'	3,300	31.8'	6,600	38.6'	4,400	43.8'	3,300
70°	42.6'	6,300	49.1'	4,400	53.4'	3,100	42.6'	6,300	49.1'	4,400	53.4'	3,100
65°	52.5'	5,200	58.7'	4,000	62.5'	2,950	52.5'	5,200	58.7'	4,000	62.5'	2,950
60°	61.9'	4,350	67.6'	3,550	70.9'	2,850	61.9'	4,350	67.6'	3,550	70.9'	2,850
55°	70.7'	3,750	76.0'	3,100	78.7'	2,750	70.6'	3,300	76.0'	3,100	78.7'	2,750
50°	79.0'	3,250	83.7'	2,750	85.9'	2,600	78.4'	2,400	83.5'	2,250	85.6'	2,000
45°	86.4'	2,200	90.4'	2,200	92.1'	2,200	86.1'	1,650	90.3'	1,550	91.7'	1,350
40°	93.2'	1,750	96.8'	1,700			92.9'	1,050	96.5'	1,000		
35°	99.2'	1,350	102.0'	1,300								
30°	105.0'	1,000	107.0'	950								

R : Load radius in feet **W** : Rated lifting capacity in pounds

Boom Angle in Degree	ON OUTRIGGERS MID. EXTENDED 16' 4-7/8" (5.0m) SPREAD 360° ROTATION					
	Boom Length in Feet					
	98.4' (30.0m) Boom + 24.6' (7.5m) Jib					
	5° offset		25° offset		45° offset	
	R	W	R	W	R	W
80°	20.6'	6,600	27.8'	4,400	33.6'	3,300
75°	31.8'	6,600	38.6'	4,400	43.8'	3,300
70°	42.6'	6,300	49.1'	4,400	53.4'	3,100
65°	52.5'	5,200	58.6'	3,950	62.5'	2,950
60°	61.6'	3,450	67.5'	3,050	70.9'	2,650
55°	70.1'	2,200	75.5'	2,000	78.5'	1,950
50°	78.1'	1,350	83.0'	1,200	85.3'	1,200
45°						
40°						
35°						
30°						

NOTE: Load radiuses for jib operation are given for reference with the boom fully extended to 98.4' (30m).

1,650lbs. (750kg) shall be subtracted from the rated lifting capacities of main boom, when jib is attached to main boom head.
Jib weight is 840lbs. (380kg).

Standard number of parts of line should be according to the following table.

Boom Length in Feet (meters)	31' (9.45)	31' to 64' (9.45 to 19.51)	64' to 98.4' (19.51 to 30.0)	Single top Jib
No. of parts of line	8	6	4	1

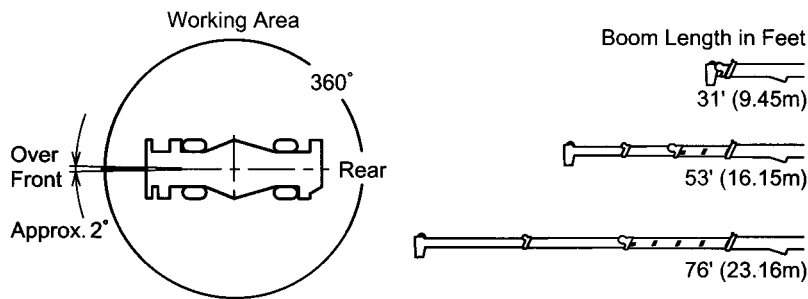
The lifting capacity data stored in the LOAD MOMENT INDICATOR (AML-L) is based on the standard number of parts of line listed in the chart.

Maximum lifting capacity is restricted by the number of parts of line of LOAD MOMENT INDICATOR (AML-L).

RATED LIFTING CAPACITIES (IN POUNDS)

ON RUBBER									
Load Radius In Feet	Stationary						Creep		
	Over Front			360° Rotation			Over Front		
	Boom Length in Feet			Boom Length in Feet			Boom Length in Feet		
	31' (9.45m)	53' (16.15m)	76' (23.16m)	31' (9.45m)	53' (16.15m)	76' (23.16m)	31' (9.45m)	53' (16.15m)	76' (23.16m)
10'	37,300	32,700		22,000	16,200		31,200	26,800	
12'	35,800	32,700	15,300	16,100	16,200	12,100	26,900	26,800	15,300
15'	29,600	28,200	15,300	11,000	11,300	12,100	21,850	21,900	15,300
20'	18,150	18,150	14,500	6,300	6,700	7,000	16,100	16,000	14,500
25'	11,750	11,750	12,600	3,350	3,900	4,850	11,750	11,750	12,600
30'		8,300	9,750		2,000	3,100		8,300	9,750
35'		6,100	7,200			1,700		6,100	7,200
40'		4,450	5,400					4,450	5,400
45'		3,200	4,050					3,200	4,050
50'			3,200						3,200
55'			2,400						2,400
60'			1,750						1,750
65'			1,200						1,200
A		0°		0°	43°	55°		0°	13°

A : Minimum boom angle (deg.) for indicated length (no load)



NOTE : Standard number of parts of line for on rubber operation should be according to the following table. The lifting capacity data stored in the LOAD MOMENT INDICATOR (AML-L) is based on the standard number of parts of line listed in the chart.

Boom Length in Feet (meters)	31' (9.45)	31' to 53' (9.45 to 16.15)	53' to 76' (16.15 to 23.16)	Single top
No. of parts of line	6	6 (4) *	4	1

* : Stationary 360° Rotation requires 4 parts of line.

WARNING AND OPERATING INSTRUCTIONS FOR ON RUBBER CAPACITIES

- Rated lifting capacities on rubber are in pounds and do not exceed 75% of tipping loads as determined by SAE J765 -Crane Stability Test Code.
- Rated lifting capacities shown in the chart are based on condition that crane is set on firm level surfaces with suspension lock applied. Those above bold lines are based on tire capacity and those below, on crane stability. They are based on actual load radius increased by tire deformation and boom deflection.
- Rated lifting capacities are based on proper tire inflation, capacity and condition. Damaged tires are hazardous to safe operation of crane.
- Tires shall be inflated to correct air pressure.
- Over front operation shall be performed within two degrees in front of chassis.
- On rubber lifting with "jib" is not permitted. Maximum permissible boom length is 76 ft. (23.16m).
- When making lift on rubber stationary, set parking brake.
- For creep operation, boom must be centered over front of machine, swing lock engaged, and load restrained from swinging. Travel slowly and keep the lifted load as close to the ground as possible, and especially avoid any abrupt steering, accelerating or braking.
- Do not operate the crane while carrying the load.
- Creep is motion for crane not to travel more than 200 ft. (60m) in any 30 minute period and to travel at the speed of less than 1 mph (1.6 km/h).
- For creep operation, set drive select switch to "4-WHEEL (Lo) " and set gear shift lever to "1".

Tires	Air Pressure
20.5-25-24PR	93 psi. (6.5kgf/cm ²)

WARNING AND OPERATING INSTRUCTIONS FOR LIFTING CAPACITIES

GENERAL

1. RATED LIFTING CAPACITIES apply only to the machine as originally manufactured and normally equipped by TADANO LTD. Modifications to the machine or use of optional equipment other than that specified can result in a reduction of capacity.
2. Construction equipment can be hazardous if improperly operated or maintained. Operation and maintenance of this machine must be in compliance with the information in the operation, safety and maintenance manual supplied with machine.
3. The operator and other personnel associated with this machine shall fully acquaint themselves with the latest American National Standards Institute (ANSI) safety standards for cranes.

SET UP

1. Rated lifting capacities on the chart are the maximum allowable crane capacities and are based on the machine standing level on firm supporting surface under ideal job conditions. Depending on the nature of the supporting surface, it may be necessary to have structural supports under the outrigger floats or tires to spread the load to a larger bearing surface.
2. For outrigger operation, outriggers shall be properly extended with tires free of supporting surface before operating crane.

OPERATION

1. Rated lifting capacities have been tested to and meet minimum requirements of SAE J1063-Cantilevered Boom Crane Structures-Method of Test.
2. Rated lifting capacities do not exceed 85% of the tipping load on outriggers fully extended as determined by SAE J765-Crane Stability Test Code. Rated lifting capacities for partially extended outriggers are determined from the formula, Rated Lifting Capacities = (Tipping Load - 0.1 X Tip Reaction) / 1.25.
3. Rated lifting capacities above bold lines in the chart are based on crane strength and those below, on its stability. They are based on actual load radius increased by boom deflection.
4. Rated lifting capacities include the weight of main hook block (600lbs. for 30 ton capacity), auxiliary hook block (220lbs. for 4.4 ton capacity), sling and auxiliary lifting devices and their weights shall be subtracted from the listed capacities to obtain the net load to be lifted.
5. Rated lifting capacities are based on freely suspended loads and make no allowance for such factors as the effect of wind, sudden stopping of loads, supporting surface conditions, inflation of tires, operating speeds, side loads, etc. Side pull on boom or jib is extremely dangerous.
6. Rated lifting capacities do not account for wind on lifted load or boom. Rated lifting capacities and boom length shall be appropriately reduced, when wind velocity is above 20mph (9m/sec.).
7. Rated lifting capacities at load radius shall not be exceeded. Do not tip the crane to determine allowable loads.
8. Do not operate at boom lengths, radii, or boom angle, where no capacities are shown. Crane may overturn without any load on the hook.
9. When boom length is between values listed, refer to the rated lifting capacities of the next longer and next shorter booms for the same radius. The lesser of the two rated lifting capacities shall be used.

10. When making lifts at a load radius not shown, use the next longer radius to determine allowable capacity.
11. Load per line should not exceed 7,500lbs.(3,400kg) for main winch and 6,600lbs. (3,000kg) for auxiliary winch.
12. Check the actual number of parts of line with LOAD MOMENT INDICATOR (AML-L) before operation. Maximum lifting capacity is restricted by the number of parts of line of LOAD MOMENT INDICATOR (AML-L). Limited capacity is as determined from the formula, Single line pull for main winch (7,500lbs.) X number of parts of line.
13. The boom angle before loading should be greater to account for deflection.
14. The 31' (9.45m) boom length capacities are based on boom fully retracted. If not fully retracted [less than 42' (12.8m) boom length], use the rated lifting capacities for the 42' (12.8m) boom length.
15. Extension or retraction of the boom with loads may be attempted within the limits of the RATED LIFTING CAPACITIES. The ability to telescope loads is limited by hydraulic pressure, boom angle, boom length, crane maintenance, etc.
16. For lifting capacity of single top, reduce the rated lifting capacities of relevant boom by the weight of the main hook block. Capacities of single top shall not exceed 6,600lbs. (3,000kg) including main hook.
17. When erecting and stowing jib, be sure to retain it by hand or by other means to prevent its free movement.
18. 1,650lbs. (750kg) shall be subtracted from the rated lifting capacities of the main boom, when jib is attached to main boom head. Jib weight is 840lbs. (380kg).
19. Use "OVERWIND CUTOFF" disable switch when erecting and stowing jib and when stowing hook block. While the switch is pushed, the hoist does not stop, even when overwind condition occurs.
20. For boom length with 24.6' (7.5m) jib, rated lifting capacities are determined by boom length and loaded boom angle. For angles not shown, use the next lower loaded boom angle to determine allowable capacity. When boom length is between values listed, refer to the rated lifting capacities of next longer boom for the same angle. However, as for the capacity of 31' (9.45m) boom and 42' (12.8m) boom is the same as the capacities of 53' (16.15m) boom.
21. When lifting a load by using jib (aux.winch) and boom (main winch) simultaneously, do the following:
 - Enter the operation status as jib operation, not as boom operation.
 - Before starting operation, make sure that weight of load is within rated lifting capacity for jib.

DEFINITIONS

1. Load Radius : Horizontal distance from a projection of the axis of rotation to supporting surface before loading to the center of the vertical hoist line or tackle with load applied.
2. Loaded Boom Angle : The angle between the boom base section and the horizontal, after lifting the rated lifting capacity at the load radius.
3. Working Area : Area measured in a circular arc about the centerline of rotation.
4. Freely Suspended Load : Load hanging free with no direct external force applied except by the hoist line.
5. Side Load : Horizontal side force applied to the lifted load either on the ground or in the air.

WARNING AND OPERATING INSTRUCTIONS FOR USING THE LOAD MOMENT INDICATOR (AML-L)

1. When operating crane on outriggers:

- Set P.T.O. switch to "ON".
- Press the outrigger mode select key to register for the outrigger operation. The outrigger mode indicative symbol changes from flickering to lighting.
- Press the boom mode select key to register the boom mode. Each time the boom mode select key is pressed, the mode changes. Select the status that corresponds to the actual state of the boom.
- When erecting and stowing jib, select the status of jib set (jib state indicative symbol flicker).

2. When operating crane on rubber:

- Set P.T.O. switch to "ON".
- Press the on-tire mode select key. The outrigger mode indicative symbol will disappear as the on-tire mode indicative symbol comes on. Each time the on-tire mode select key is pressed, the mode changes. Select the creep operation, the on-tire mode indicative symbol flicker.
- Press the boom mode select key to register the boom mode.

However, pay attention to the following:

(1) For stationary operation:

- The front capacities are attainable only when the over front position symbol comes on. When the boom is more than 2 degrees from centered over front of chassis, 360° capacities are in effect.

- When a load is lifted in the front position and then swung to the side area, make sure the value of the LOAD MOMENT INDICATOR (AML-L) is below the 360° lifting capacity.

(2) For creep operation:

- The creep capacities are attainable only when boom is in the straight forward position of chassis and the over front position symbol is on. If boom is not in the straight forward position of chassis, never lift load.
3. A swing does not automatically stop even if the crane becomes overloaded.
 4. During crane operation, make sure that the displays on front panel are in accordance with actual operating conditions.
 5. The displayed values of LOAD MOMENT INDICATOR (AML-L) are based on freely suspended loads and make no allowance for such factors as the effect of wind, sudden stopping of loads, supporting surface conditions, inflation of tires, operating speed, side loads, etc. For safe operation, it is recommended when extending and lowering boom or swinging, lifting loads shall be appropriately reduced.
 6. LOAD MOMENT INDICATOR (AML-L) is intended as an aid to the operator. Under no condition should it be relied upon to replace use of capacity charts and operating instructions. Sole reliance upon LOAD MOMENT INDICATOR (AML-L) aids in place of good operating practice can cause an accident. The operator must exercise caution to assure safety.

HOISTING SPECIFICATIONS

LINE SPEEDS AND PULLS

Layer	Speed	Main or auxiliary hoist – 12-5/8" (0.32) drum					
		Line Speeds (2)		Line pulls			
				Available (1)		Permissible (4)	
		F.P.M	m/min	Lbs.	kgf	Lbs.	kgf
1st	High	311	95	13,170	5,974	10,525	4,774
2nd	High	340	104	12,024	5,454	9,610	4,359
3rd	High	370	113	11,063	5,018	8,841	4,010
4th	High	399	122	10,243	4,646	8,186	3,713
5th	High	429	131	9,537	4,326	7,621	3,457
6th (3)	High	459	140	8,922	4,047	7,130	3,234

- (1) Developed by machinery with first layer of wire rope, but not based on rope strength or other limitation in machinery or equipment.
- (2) Line speeds based only on hook block, not loaded.
- (3) Sixth layer of wire rope is not recommended for hoisting operations.
- (4) Permissible line pull may be affected by wire rope strength.

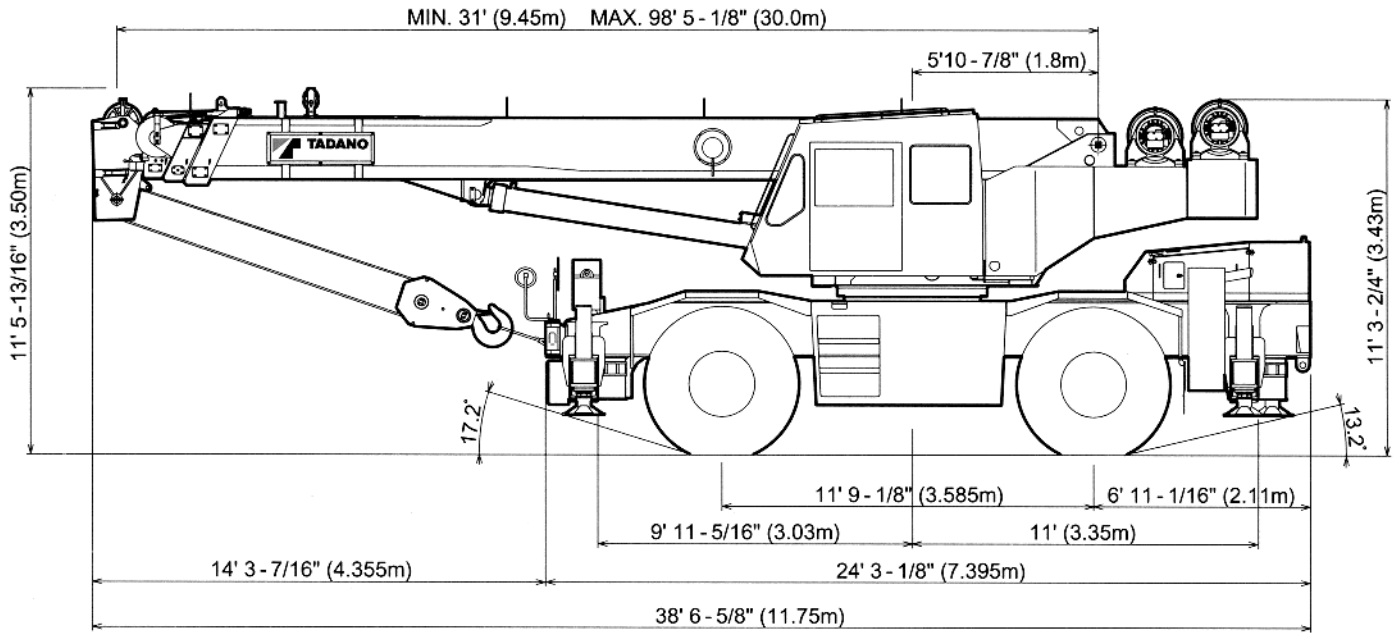
DRUM WIRE ROPE CAPACITIES

Wire rope layer	Main and auxiliary drum grooved lagging			
	5/8" (16 mm) wire rope			
	Rope per layer		Total wire rope	
	Feet	Meters	Feet	Meters
1	99	30.1	99	30.1
2	108	32.9	207	63.0
3	117	35.8	324	98.8
4	127	38.7	451	137.5
5	136	41.6	588	179.1
6	146	44.5	734	223.6

DRUM DIMENSIONS

	Inch	mm
Root diameter	12-5/8"	320
Length	19-1/16"	484.5
Flange diameter	20-7/8"	530

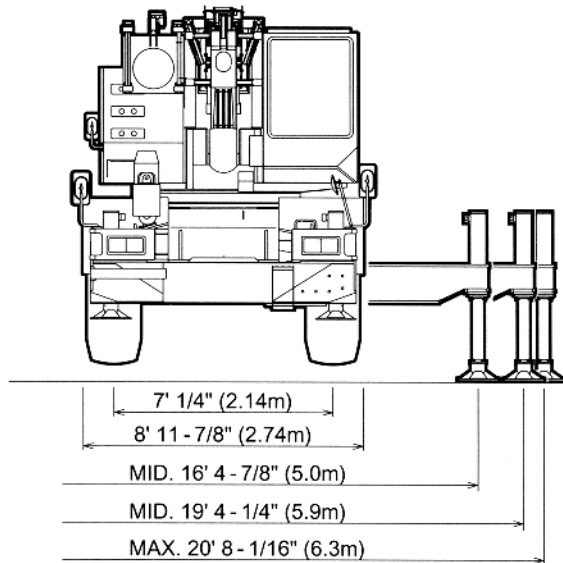
DIMENSIONS



* Drawing shows Installation of standard main winch and optional auxiliary winch.

GENERAL DIMENSIONS (20.5 X 25 Tires)

	Feet	Meters
Turning Radius:		
4 wheel steer	21'	6.4
2 wheel steer	36' 5"	11.1
Tail swing of counterweight	11' 1-7/8"	3.4



WEIGHT DEDUCTIONS FOR AUXILIARY LOAD HANDLING DEVICES

Tadano Cranes
June 22, 2005

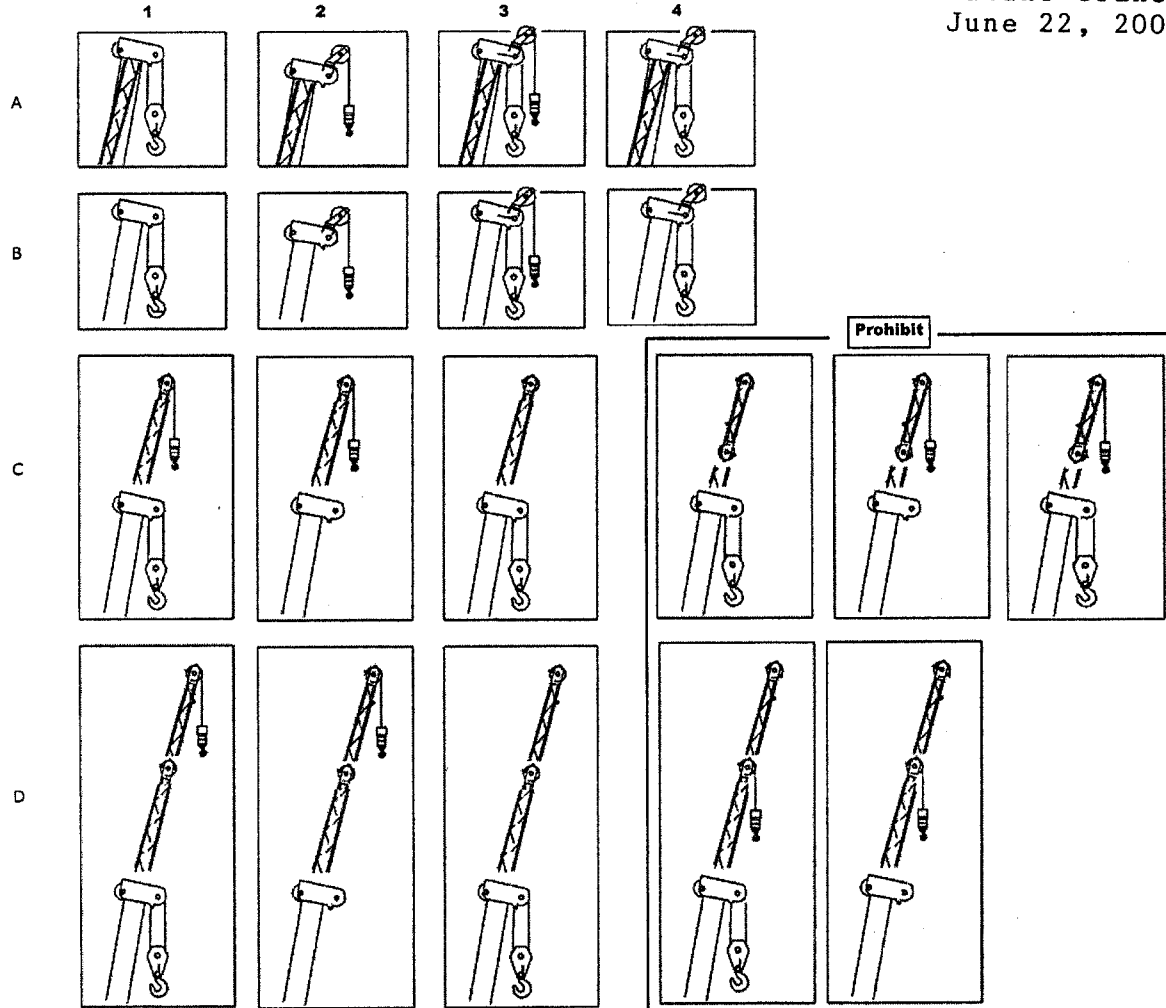


Fig.	Lifting by	AML Set-up	Using by	Winch selector	JIB	Jib state Key	Necessary deduction from Load Chart
A-1	Main Hook Block	Main Boom	Main winch	Main	Stowed	EQUIPPED	Main Hook Block weight
A-2	Aux. Hook Block	Single Top	Aux. winch	Auxiliary	Stowed	EQUIPPED	Main Hook Block weight
A-3	Main Hook Block	Main Boom	Main winch	Main	Stowed	EQUIPPED	Aux. Hook Block weight
A-3	Aux. Hook Block	Single Top	Aux. winch	Auxiliary	Stowed	EQUIPPED	Aux. Hook Block weight
A-4	Main Hook Block	Main Boom	Main winch	Main	Stowed	EQUIPPED	Main & Aux. Hook Block weight
			Aux. winch	Auxiliary	Stowed	EQUIPPED	Main & Aux. Hook Block weight
B-1	Main Hook Block	Main Boom	Main winch	Main	Removed	REMOVED	Main Hook Block weight
B-2	Aux. Hook Block	Single Top	Aux. winch	Auxiliary	Removed	REMOVED	Main Hook Block weight
B-3	Main Hook Block	Main Boom	Main winch	Main	Removed	REMOVED	Aux. Hook Block weight
B-3	Aux. Hook Block	Single Top	Aux. winch	Auxiliary	Removed	REMOVED	Aux. Hook Block weight
B-4	Main Hook Block	Main Boom	Main winch	Main	Removed	REMOVED	Main & Aux. Hook Block weight
			Aux. winch	Auxiliary	Removed	REMOVED	Main & Aux. Hook Block weight
C-1	Main Hook Block	Main Boom	Main winch	Main	Erected	EQUIPPED	Subtract the value in the table & Main & Aux. Hook Block weight
C-1	Aux. Hook Block	Base Jib	Aux. winch	Auxiliary	Erected	EQUIPPED	Main & Aux. Hook Block weight
C-2	Aux. Hook Block	Base Jib	Main winch	Main	Erected	EQUIPPED	Aux. Hook Block weight
C-3	Main Hook Block	Main Boom	Main winch	Main	Erected	EQUIPPED	Aux. Hook Block weight
			Aux. winch	Auxiliary	Erected	EQUIPPED	Subtract the value in the table & Main Hook Block weight
D-1	Main Hook Block	Main Boom	Main winch	Main	Erected	EQUIPPED	Subtract the value in the table & Main & Aux. Hook Block weight
D-1	Aux. Hook Block	Top Jib	Aux. winch	Auxiliary	Erected	EQUIPPED	Main & Aux. Hook Block weight
D-2	Aux. Hook Block	Top Jib	Main winch	Main	Erected	EQUIPPED	Aux. Hook Block weight
			Aux. winch	Auxiliary	Erected	EQUIPPED	Aux. Hook Block weight
D-3	Main Hook Block	Main Boom	Main winch	Main	Erected	EQUIPPED	Subtract the value in the table & Main Hook Block weight
			Aux. winch	Auxiliary	Erected	EQUIPPED	Subtract the value in the table & Main Hook Block weight

* The table for the values to subtract from the rated lifting capacities is on the reverse side.

TR-800XXL/TT-800XXL

C1	Boom length	37.7'	51'	64.4'	91'	117.7'	131'	144.4'
	Deduction (lbs.)	20,900	15,000	14,300	9,500	8,800	7,200	7,300
	Tele. Mode	1,2	1	1	2	1	2	1
C3	Boom length	37.7'	51'	64.4'	91'	117.7'	131'	144.4'
	Deduction (lbs.)	20,100	14,100	13,300	8,500	8,100	6,500	6,600
	Tele. Mode	1,2	1	1	2	1	2	1
D1	Boom length	37.7'	51'	64.4'	91'	117.7'	131'	144.4'
	Deduction (lbs.)	23,500	18,000	18,000	13,200	11,300	9,700	9,500
	Tele. Mode	1,2	1	1	2	1	2	1
D3	Boom length	37.7'	51'	64.4'	91'	117.7'	131'	144.4'
	Deduction (lbs.)	22,300	16,700	16,400	11,600	10,200	8,600	8,500
	Tele. Mode	1,2	1	1	2	1	2	1

TR-600XXL

C1	Boom length	36.4'	50'	61.8'	90'	110'	137.8'
	Deduction (lbs.)	14,200	11,900	9,500	7,600	6,000	4,900
C3	Boom length	36.4'	50'	61.8'	90'	110'	137.8'
	Deduction (lbs.)	13,400	11,200	8,800	7,000	5,500	4,400
D1	Boom length	36.4'	50'	61.8'	90'	110'	137.8'
	Deduction (lbs.)	16,500	14,100	11,700	9,400	7,600	6,300
D3	Boom length	36.4'	50'	61.8'	90'	110'	137.8'
	Deduction (lbs.)	15,500	13,200	10,800	8,700	7,000	5,800

TR-600XL

C1	Boom length	36.1'	49'	61.4'	74'	87'	100'	111.9'
	Deduction (lbs.)	14,900	11,800	9,700	7,400	7,400	6,800	5,800
C3	Boom length	36.1'	49'	61.4'	74'	87'	100'	111.9'
	Deduction (lbs.)	14,100	10,600	8,500	6,300	6,300	5,700	4,900
D1	Boom length	36.1'	49'	61.4'	74'	87'	100'	111.9'
	Deduction (lbs.)	17,800	14,200	12,200	9,600	9,600	8,700	7,500
D3	Boom length	36.1'	49'	61.4'	74'	87'	100'	111.9'
	Deduction (lbs.)	15,300	11,800	9,600	7,300	7,300	6,700	5,800

TT-600XL

C1	Boom length	36.1'	49'	61.4'	74'	87'	100'	111.9'
	Deduction (lbs.)	17,100	15,800	13,200	10,900	8,600	8,200	6,400
C3	Boom length	36.1'	49'	61.4'	74'	87'	100'	111.9'
	Deduction (lbs.)	16,300	14,400	12,000	9,400	7,800	7,400	5,800
D1	Boom length	36.1'	49'	61.4'	74'	87'	100'	111.9'
	Deduction (lbs.)	21,900	21,400	18,000	16,800	11,600	11,000	8,300
D3	Boom length	36.1'	49'	61.4'	74'	87'	100'	111.9'
	Deduction (lbs.)	19,800	19,000	16,000	14,400	10,200	9,700	7,400

TR-300XL

C1	Boom length	31.8'	40'	55'	70'	80'	90'	101.7'
	Deduction (lbs.)	7,600	6,800	6,300	5,000	4,900	4,700	4,000
C3	Boom length	31.8'	40'	55'	70'	80'	90'	101.7'
	Deduction (lbs.)	7,100	6,400	5,800	4,500	4,500	4,300	3,600
D1	Boom length	31.8'	40'	55'	70'	80'	90'	101.7'
	Deduction (lbs.)	8,400	7,600	7,100	5,700	5,600	5,200	4,400
D3	Boom length	31.8'	40'	55'	70'	80'	90'	101.7'
	Deduction (lbs.)	7,800	7,000	6,400	5,100	5,000	4,700	4,000