



DCA70SSI

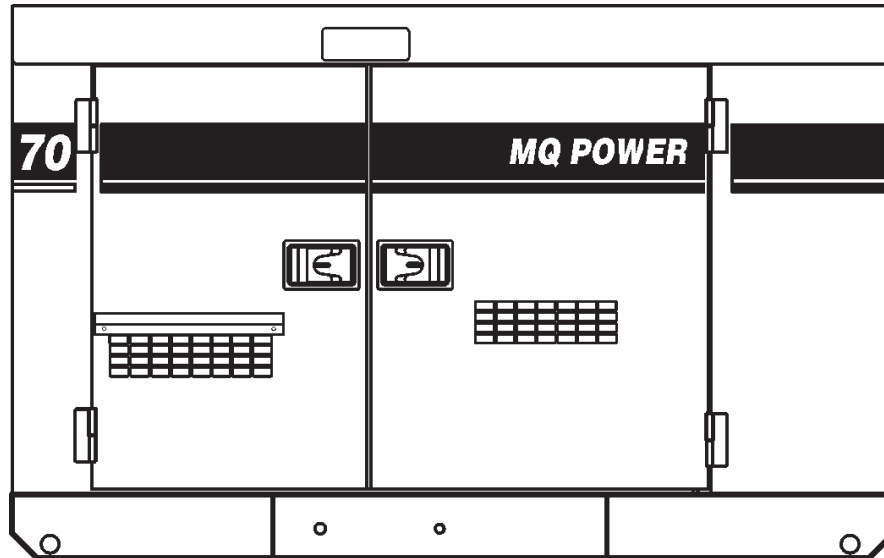
WhisperWatt Series

WhisperWatt™ 70

Prime Rating: 56 kW (70 kVA)

Standby Rating: 59 kW (74 kVA)

60 Hertz



WhisperWatt™ Standard Features

- **Heavy duty, 4-cycle, direct injection, turbocharged diesel engine** provides maximum reliability.
- **Brushless alternator** reduces service and maintenance requirements and meets temperature rise standards for Class F insulation systems.
- **Open delta alternator design** provides virtually unlimited excitation for maximum motor starting capability.
- **Automatic voltage regulator (AVR)** provides precise regulation.
- **Electronic Governor Control (Crystal Sync)** — maintains frequency to within $\pm 0.25\%$ from no load to full load.
- **Full load acceptance** of standby nameplate rating in one step (NFPA 110, para 5-13.2.6).
- **Sound attenuated, weather resistant, steel housing** provides ultra-silent operation at 65 dB(A) at 23 feet. Fully lockable enclosure allows safe unattended operation.
- **Integrated fuel tank** with direct reading fuel gauges are standard.
- **Seven-stage powder coat paint** provides durability and weather protection.
- **EPA-MOH emissions certified** - Tier 2 emissions compliant.
- **Complete engine analog instrumentation** includes DC ammeter, oil pressure gauge, water temp. gauge, fuel level gauge, tachometer/hour meter, preheat indicator, and emergency shutdown monitors.
- **Complete generator analog instrumentation** includes voltage regulator control, ammeter phase selector switch, voltmeter phase selector switch, AC voltmeter, AC ammeter, frequency meter, panel light, and circuit breaker.
- **Automatic safety shutdown system** monitors the water temperature, engine oil pressure, overspeed and overcrank. Warning lights indicate abnormal conditions.
- **Automatic start / stop control** — automatically starts the generator set during a commercial power failure when used in conjunction with a transfer switch.
- **Complete power panel.** Fully covered; three-phase terminals and single phase receptacles allow fast and convenient hookup for most applications including temporary power boxes, tools and lighting equipment. All are NEMA standard.
- **Simultaneous single and three phase power.**
- **Voltage selector switch** allows easy to change voltages as your applications require.



DCA70SSI

WhisperWatt Series

Specifications

Generator	
Design	Revolving field, self-ventilated, drip-proof, single bearing
No. of Poles	4-pole
Excitation	Brushless with AVR
Standby Output	59 KW (74 KVA)
Prime Output	56 KW (70 KVA)
Generator RPM	1800
Voltage — 3Ø	208, 220, 240, 416, 440, 480V Switchable
Voltage — 1Ø	120, 127, 139, 240, 254, 277V Switchable
Armature Connection	Star with neutral / Zig Zag
Voltage Regulation (No load to full load)	±1.0%
Power Factor	0.8
Frequency	60 Hz
Frequency Regulation: No Load to Full Load	Isochronous under varying loads from no load to 100% rated load
Frequency Regulation: Steady State	±0.25% of mean value for constant loads from no load to full load
Insulation	Class F
Sound Level dB(A) Full load at 23 feet	65

Engine	
Make / Model	Isuzu/FF-4BG1T
Emissions	EPA Tier 2 Certified
Starting System	Electric
Design	4-cycle Water Cooled Direct injection Turbocharged
Displacement	264.2 in ³ (4329 cc)
No. cylinders	4
Bore x Stroke	105mm x 125mm
Gross Engine Power Output	98.6 bhp (73.5 KW)
BMEP	149 psi (1029 kPa)
Piston Speed	1476 ft/min (7.5 m/s)
Compression Ratio	18.0:1
Engine Speed	1800 rpm
Overspeed Limit	2100 rpm
Oil capacity	3.49 gal. (13.2L)
Battery	12V 80Ah x 1

Fuel		
Maximum Fuel Flow (per hour)	30.4 gallons (115 liters)	
Maximum Inlet Restriction (Hg)	2.39 in. (60.8 mm)	
Fuel Tank Capacity	39.6 gallons (150 liters)	
Fuel Consumption	gph	lph
At full load gph (lph)	4.5	17.0
At 3/4 load gph (lph)	3.8	14.3
At 1/2 load gph (lph)	2.4	9.0
At 1/4 load gph (lph)	1.5	5.6

Cooling	
Fan Load	3.0 HP (2.2 KW)
Coolant Capacity (with radiator)	3.43 gallons (13.0 liters)
Coolant Flow Rate (per minute)	44 gallons (168 liters)
Heat Rejection to Coolant (per minute)	2502 Btu (2.64 MJ)
Heat Radiated to Room (per minute)	389 Btu (0.41 MJ)
Maximum Coolant Friction Head	7.6 psi (52.3 kPa)
Maximum Coolant Static Head	17 feet (5.3 meters)
Ambient Temperature Rating	104°F (40°C)

Air	
Combustion Air	194 cfm (5.5m ³ /min)
Maximum Air cleaner Restriction	29.5 in. H ₂ O (7.36 kPa)
Alternator Cooling Air	911 cfm (25.8m ³ /min)
Radiator Cooling Air	3707 cfm (105m ³ /min)
Minimum Air Opening to Room	6.61 sq.ft (0.614 sq.m)
Minimum Discharge Opening	2.32 sq.ft (0.22 sq.m)

Exhaust	
Gas Flow (full load)	607 cfm (17.2 m ³ /min)
Gas Temperature	993°F (534°C)
Maximum Back Pressure	53.5 in. H ₂ O (13.3 kPa)

Maximum Amps	
Rated Voltage	Maximum Amps
1Ø 120 Volt	155.5 amps (4 wire)
1Ø 240 Volt	77.8 amps (4 wire)
3Ø 240 Volt	168 amps
3Ø 480 Volt	84 amps

Warranty*

Isuzu Engine

12 months from date of purchase or 1800 hours (whichever occurs first).

Generator

12 months from date of purchase or 1000 hours (whichever occurs first).

*Refer to the express written, one-year limited warranty sheet for additional information.

Backfeed to a utility system can cause electrocution and/or property damage. Do not connect to any building's electrical system except through an approved device. Specifications are subject to change without notice.



DCA70SSI

WhisperWatt Series

MQ POWER DECIBEL LEVELS

Our soundproof housing allows substantially lower operating noise levels than competitive designs. WhisperWatts are at home on construction sites, in residential neighborhoods, and at hospitals — just about anywhere.

- ⑨0 — Subway / truck traffic
- ⑧0 — Average city traffic
- ⑦0 — Inside car at 60 mph
— **WhisperWatt at 23 feet**
- ⑥0 — Air conditioner at 20 feet
- ⑤0 — Normal conversation

65.0
DECIBELS

Optional Generator Features

- Battery charger** — provides fully automatic and self-adjusting charging to the generator's battery system.
- Low coolant level shutdown** — provides protection from critically low coolant levels. Includes control panel warning light.
- Jacket water heater** — for easy starting in cold weather climates.
- Special batteries** — long life batteries provide extra engine cranking power.
- Spring Isolators** — provides extra vibration protection for standby applications.
- Trailer mounted package** — highway legal trailer with electric or surge brakes with tandem axle configuration. Extra capacity fuel tanks are also available.

Optional Control Features

- Emergency Stop Switch.**
- Audible Alarm** — alerts operator of abnormal conditions.

Optional Fuel Cell Features

- Trailer fuel tank** — a second fuel cell located in the trailer allows for extended run time.
- Subbase fuel cells (single wall)** — Additional fuel cell for extended runtime operation.
 - 12 hours of minimum run time.
 - 24 hours of minimum run time.
- Subbase fuel cells (double wall)** — Additional fuel cell for extended runtime operation. Contains a leak sensor, low fuel level switch, and a secondary containment tank. UL142 listed.
 - 12 hours of minimum run time.
 - 24 hours of minimum run time.

Optional Distribution Devices

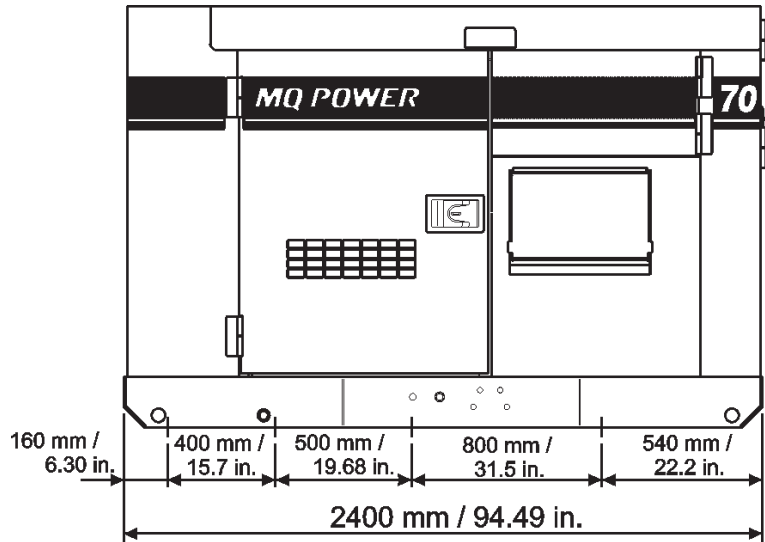
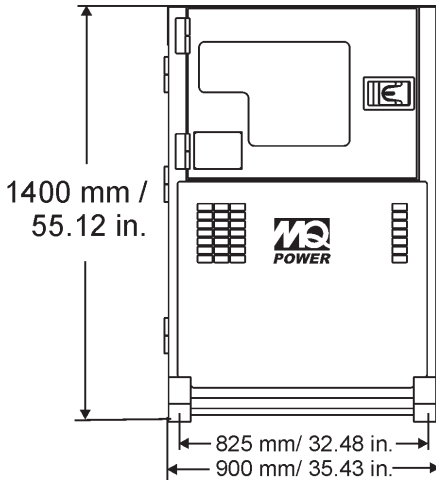
- CamLok™ connectors**
- Pin & sleeve connectors** — Appleton, Crouse-Hinds
- AC output cable** — Type G, Type W



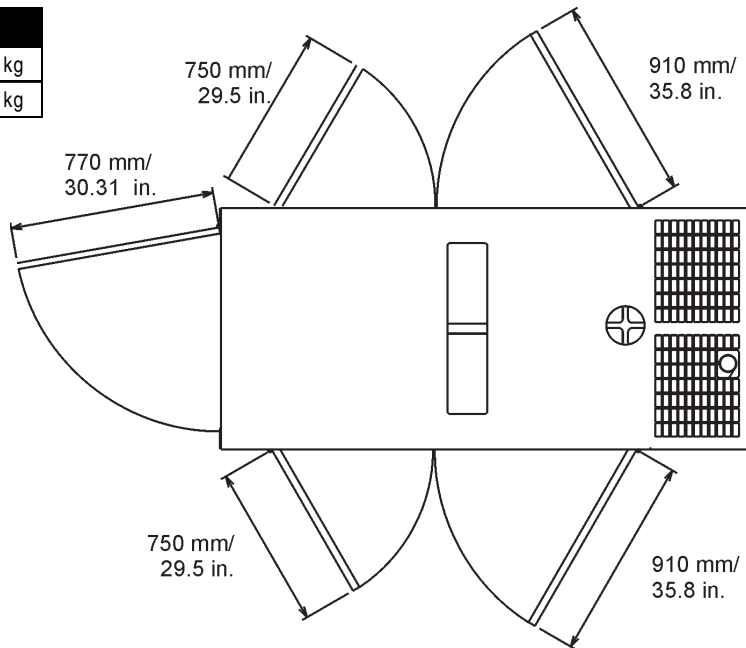
DCA70SSI

WhisperWatt Series

Dimensions



Weight	
Dry Weight	3087 lbs. / 1400 kg
Wet Weight	3425 lbs. / 1553 kg



Units mfg. by Denyo Mfg. Corp.

Your MQ Power dealer is:



MQ POWER
 POST OFFICE BOX 6254
 CARSON, CA 90749
 310-537-3700 • 800-421-1244
 FAX: 310-632-2656
 E-MAIL: mq@multiquip.com
 WWW: www.mqpower.com