

# Igo MA21

 **product  
guide**



## features

- 3,968 lb. maximum capacity
- 85'-4" maximum operating hook radius
- 86'-7" maximum hook height with jib set at 20 degrees
- 63'-4" maximum hook height with jib horizontal
- Manitowoc Crane Care comprehensive Support

## contents

Outline Dimensions **2**

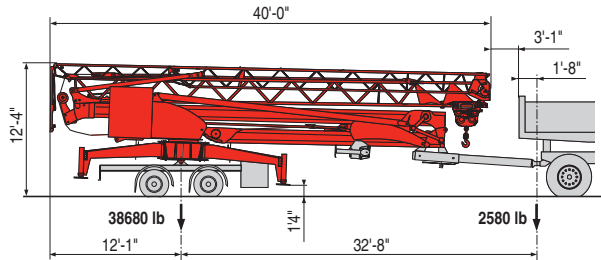
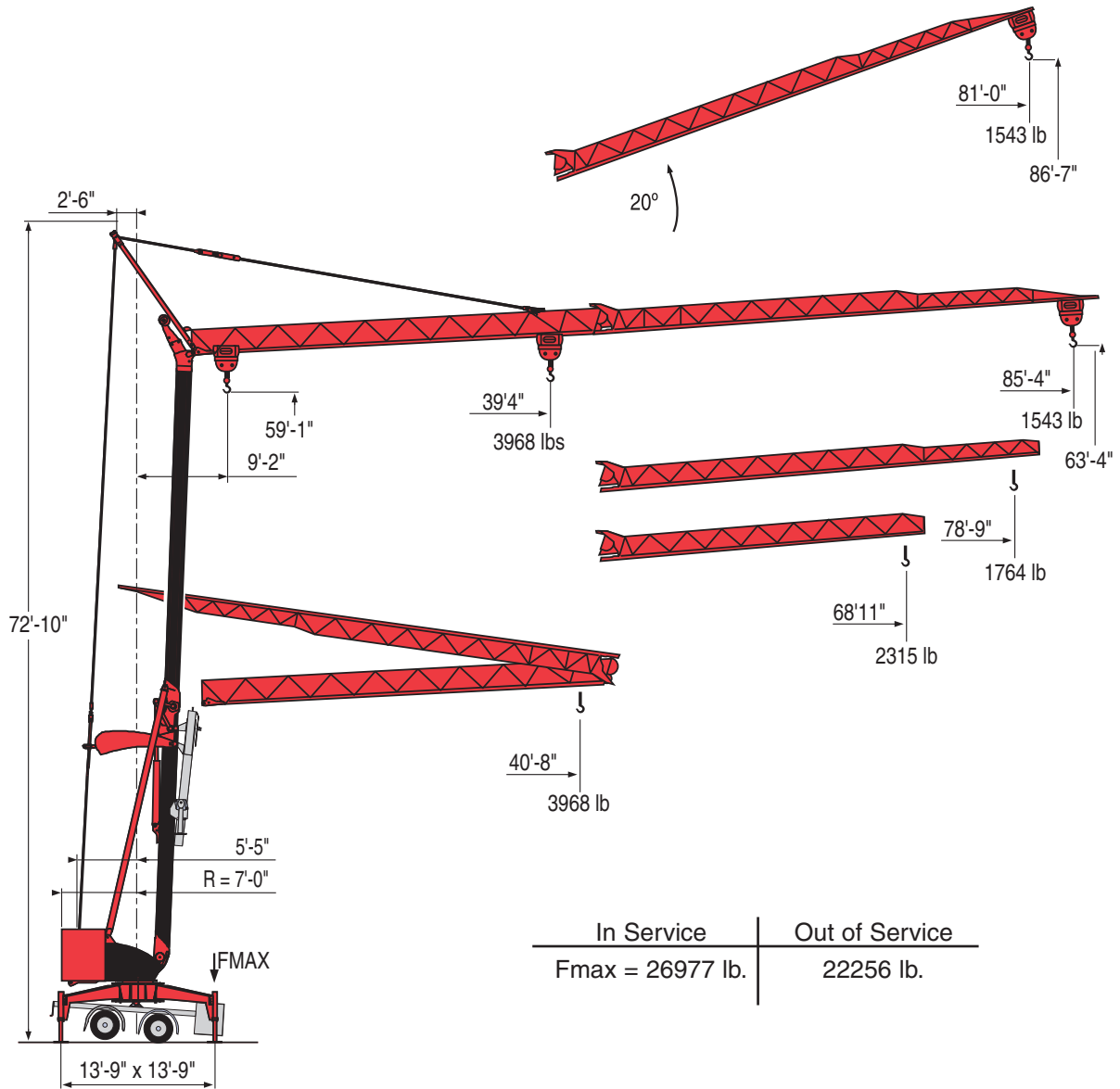
Outline Dimensions **3**

Rated Load Charts  
Mechanical Data **4**

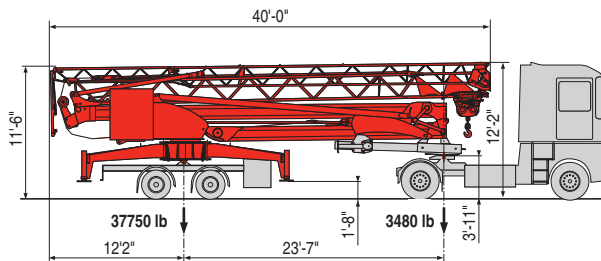
CraneCare **5**

**Conforms to  
ANSI B 30.5**

# outline dimensions

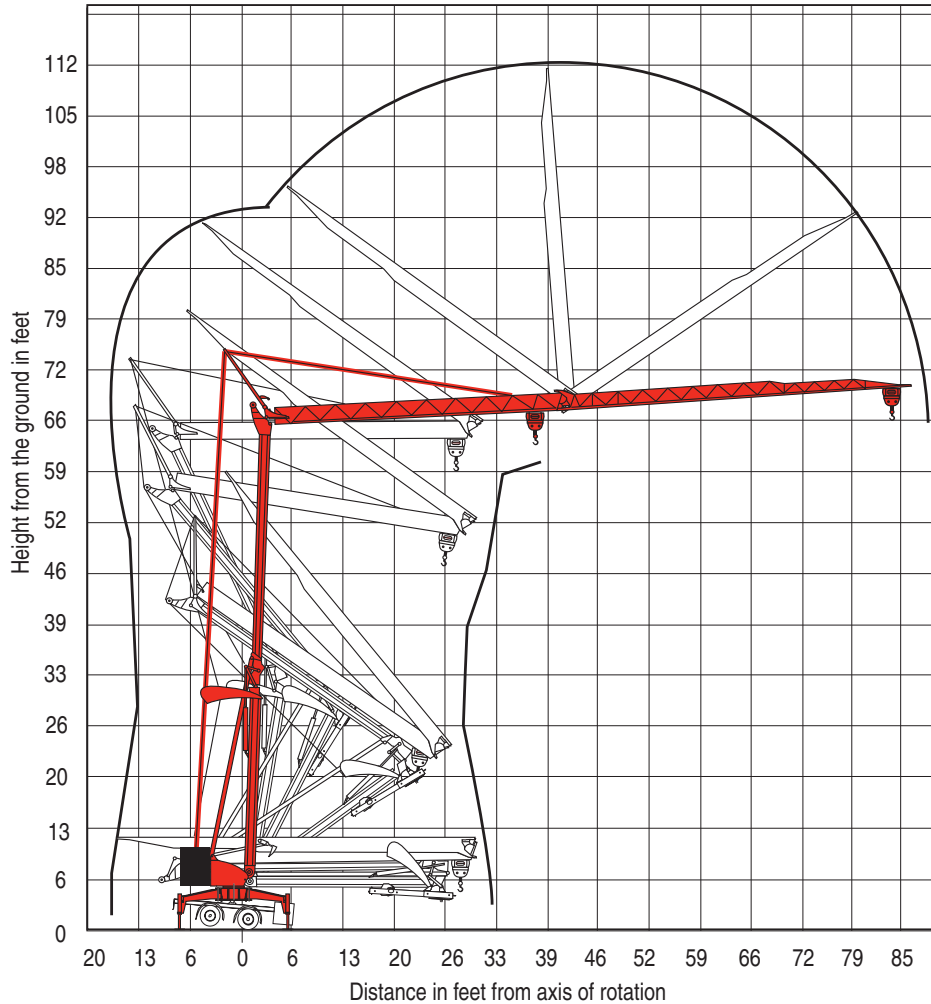


Width in travel mode  
8'-6"



Igo MA21

# outline dimensions



# mechanical data

## Igo MA21

| Function | Hoist Type     | Hoist Type                    | Speed vs Weight | 2-part                           |             |              | Motor (hp) | Motor (kW) |
|----------|----------------|-------------------------------|-----------------|----------------------------------|-------------|--------------|------------|------------|
|          |                |                               |                 | 1st Gear                         | 2nd Gear    | 3rd Gear     |            |            |
| Hoist    | 8 LVF 9 Optima | 220 V<br>21 A<br>single phase | ft/min<br>lbs   | 12<br>3,968                      | 23<br>3,968 | 60<br>1,543  | 3.3        | 2.4        |
|          |                | 220 V<br>34 A<br>single phase | ft/min<br>lbs   | 12<br>3,968                      | 37<br>3,968 | 83<br>1,543  | 5.2        | 3.8        |
|          |                | 480 V                         | ft/min<br>lbs   | 11<br>3,968                      | 53<br>3,968 | 119<br>1,543 | 7.5        | 5.5        |
| Trolley  | 1 DVF 4-1      |                               | ft/min          | 119 (1,543 lbs) / 92 (3,968 lbs) |             |              | 1.5        | 1.1        |
| Swing    | RVF 20         |                               | rpm             | 1.0                              |             |              | 1.5        | 1.1        |

Power Requirements: 220 V (+6% or -10%) 60 Hz measured at turn table.

Amperage: 8 LVF 9 (2.4 kW): 21 Amp (single phase)

Amperage: 8 LVF 9 (3.8 kW): 34 Amp (single phase)

Power Requirements: 480 V (+6% or -10%) 60 Hz measured at turn table.

Amperage: 8 LVF 9: 14 Amp (3 phase service with ground)

Igo MA21



# CraneCARE

CraneCARE is Manitowoc's complete service and support program. Incorporated into this program are service training, immediate parts availability, professional field service, and technical support and documentation. CraneCARE is available for every one of the thousands of cranes operating all over the world.

That's dedication and devotion that you won't get anywhere else.

That's **CraneCARE**.

## Service Training

A certified Manitowoc service specialist works with you in your training facility or in the field to ensure that you know how to achieve maximum performance, dependability, and years from your cranes.

A reputable Manitowoc Service technician comes to you to provide valuable training to all distributors on the crane's LMI system.

## Parts Availability

Genuine Manitowoc replacement parts may be obtained through your MCG distributor on a regular basis.

## Field Service

Factory-trained service experts are always ready to help maintain your crane's peak performance.

For a worldwide listing of dealer locations, please consult our website at:  
**[www.manitowoccranes.com](http://www.manitowoccranes.com)**.

## Technical Support

Manitowoc's dealer network and factory personnel are available 24 hours a day, 7 days a week, 365 days a year to answer your technical questions and more.

For a worldwide listing of dealer locations, please consult our website at:  
**[www.manitowoccranes.com](http://www.manitowoccranes.com)**.

## Technical Documentation

Manitowoc boasts an extensive, easy-to-understand library of documentation.

A complete set of Operator's parts and service manuals are included with each crane.

Additional copies are available through your Authorized Manitowoc Distributor.

Igo MA21

## Manitowoc Crane Group - Americas

Manitowoc, Wisconsin Facility  
Tel: [Int + 001] 920 684 6621  
Fax: [Int + 001] 920 683 6277  
Shady Grove, Pennsylvania Facility  
Tel: [Int + 001] 717 597 8121  
Fax: [Int + 001] 717 597 4062

## Manitowoc Crane Group - EMEA

Europe Middle East & Africa  
Tel: [Int + 33] (0) 4 72 18 20 20  
Fax: [Int + 33] (0) 4 72 18 20 00

## Manitowoc Crane Group - UK

Europe Middle East & Africa (Parts & Service)  
Tel: [Int + 44] (0) 191 565-6281  
Fax: [Int + 44] (0) 191 564-0442

## Manitowoc Crane Group - Germany

(Sales, Parts & Service)  
Tel: [Int + 49] (0) 2173 8909-0  
Fax: [Int + 49] (0) 2173 8909-30

## Manitowoc Crane Group - France

France & Africa (Sales, Parts & Service)  
Tel: [Int + 33] (0) 1 303-13150  
Fax: [Int + 33] (0) 1 303-86085

## Manitowoc Crane Group - Netherlands

(Sales, Parts & Service)  
Tel: [Int + 31] (0) 76 578 39 99  
Fax: [Int + 31] (0) 76 578 39 78

## Manitowoc Crane Group - Italy

Italy & Southern Europe (Sales, Parts & Service)  
Tel: [Int + 39] (0) 331 49 33 11  
Fax: [Int + 39] (0) 331 49 33 30

## Manitowoc Crane Group - Portugal

Portugal & Spain (Sales, Parts & Service)  
Tel: [Int + 351] (0) 22 968 08 89  
Fax: [Int + 351] (0) 22 968 08 97

## Manitowoc Crane Group - Singapore

Asia/Pacific excl China (Sales, Parts & Service)  
Tel: [Int + 65] 6861-7133  
Fax: [Int + 65] 6862-4040 / 4142

## Manitowoc Crane Group - Shanghai

China (Sales, Parts & Service)  
Tel: [Int + 86] (0) 21-64955555  
Fax: [Int + 86] (0) 21-64852038

## Manitowoc Crane Group - Beijing

China (Sales, Parts & Service)  
Tel: [Int + 86] (0) 10 646-71690  
Fax: [Int + 86] (0) 10 646-71691

## Manitowoc Crane Group - Middle East

(Sales)  
Tel: [Int + 971] (0) 4 348-4478  
Fax: [Int + 971] (0) 4 348-4478  
(Parts & Service)  
Tel: [Int + 973] (0) 9 660-899  
Fax: [Int + 973] (0) 2 707-740

Distributed By:

**Manitowoc**  
Crane Group



[www.manitowoccranegroup.com](http://www.manitowoccranegroup.com)

Constant improvement and engineering progress make it necessary that we reserve the right to make specification, equipment, and price changes without notice. Illustrations shown may include optional equipment and accessories, and may not include all standard equipment.